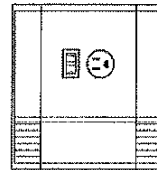
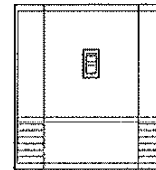




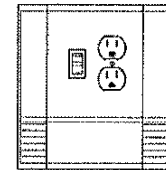
**Marley**  
Engineered Products



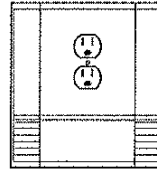
AC



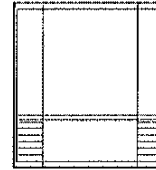
CDS2



DSDR120



DRH



LVR & WS

 **UL** US  
FILE #E37114

# Accessories

For Use on "D" Series Commercial and Electric/Hydronic Baseboard Heaters

## Installation Instructions

Dear Owner,

*Congratulations! Thank you for purchasing this new accessory manufactured by Marley Engineered Products. You have made a wise investment selecting the highest quality product in the heating industry. Please carefully read and follow the installation and maintenance directions shown in this manual. You should enjoy years of efficient heating comfort with this accessory from Marley Engineered Products... the industry's leader in design, manufacturing, quality and service.*

*... The Employees of  
Marley Engineered Products*

### **WARNING**

**Read Carefully** - This instruction sheet contains vital information for the proper installation, and use of the accessories described herein. Carefully read this manual before installation, operation, or service of the accessory. Failure to follow these instructions could result in fire, electric shock, death, serious personal injury, or property damage. Save these instructions for reference by future users.

**WARNING: HAZARD OF FIRE OR ELECTRICAL SHOCK**

1. BE SURE ELECTRIC POWER IS DISCONNECTED AT MAIN FUSE OR CIRCUIT BREAKER DISTRIBUTION PANEL BEFORE INSTALLATION OR SERVICING.
2. THE INSTALLATION MUST COMPLY WITH ALL LOCAL AND NATIONAL ELECTRICAL CODES AND UTILITY REQUIREMENTS.

3. REFER TO INSTALLATION INSTRUCTIONS PROVIDED WITH THE HEATER WHEN INSTALLING THESE ACCESSORIES.
4. CHECK ACCESSORY AND HEATER NAMEPLATE TO VERIFY POWER REQUIREMENTS MATCH POWER SUPPLY COMING TO HEATER AND ACCESSORY. MAKE SURE TOTAL POWER REQUIREMENTS DO NOT EXCEED RATINGS OF ACCESSORY.
5. WHEN DRILLING HOLE IN END CAPS FOR INSTALLATION ADJACENT TO END OF HEATER, ALWAYS REMOVE END CAPS FROM HEATER AND ACCESSORY SECTION TO DRILL. SEE FIGURE 2 (PAGE 2) FOR LOCATION.
6. DUPLEX RECEPTACLE SECTION MUST BE POWERED BY SEPARATE BRANCH CIRCUIT. HEATER SUPPLY CANNOT BE USED TO POWER RECEPTACLE.

**SAVE THESE INSTRUCTIONS**

## INSTALLATION

1. Determine desired mounting location along wall. If installed with heater, refer also to heater installation instructions.
2. Remove accessory section cover by removing two (2) screws in the lower front corners.
3. Route accessory power supply cable and any control wiring to accessory mounting location providing approximately ten (10) inches (254mm) of cable for connections in accessory box. See Warning 6.

**NOTE:** Power supply cable(s) may enter accessory box through either of the two (2) knockouts in back or the two (2) holes in bottom portion of plastic junction boxes. A suitable cable clamp is required if a knockout is used. If the openings in the junction boxes are used, the cable must be routed as shown in Figure 1 to provide the proper strain relief system required by the National Electrical Code.

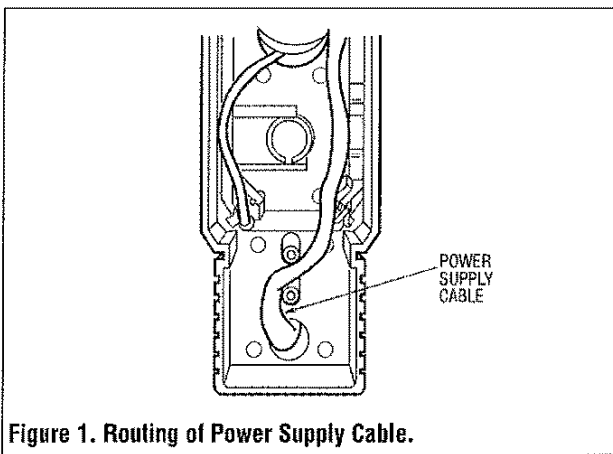


Figure 1. Routing of Power Supply Cable.

4. When accessory section is installed adjacent to a heater, the connecting wiring may be routed from heater to accessory section by drilling a 1/2 inch (12.7mm) dia. hole in plastic end caps. See Figure 2 for suggested drilling location and Warning 5.

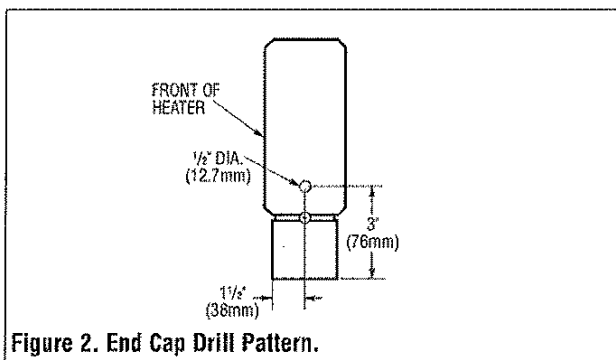


Figure 2. End Cap Drill Pattern.

5. Bring heater connection wiring and other wiring as necessary into accessory section; position section against wall and secure to wall.
6. Connect wiring to accessory using the appropriate wiring diagram. See Figure 7.

**NOTE:** It is recommended that all connections be made in the accessory section for easy access and inspection.

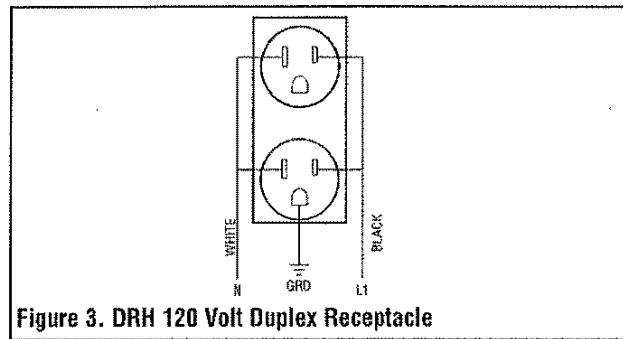


Figure 3. DRH 120 Volt Duplex Receptacle

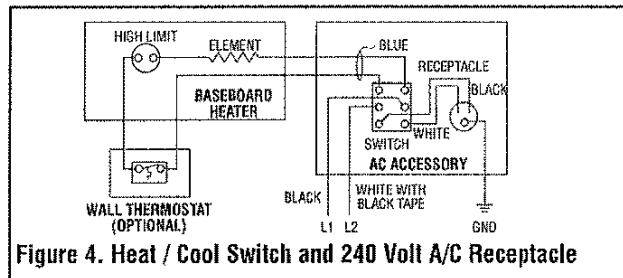


Figure 4. Heat / Cool Switch and 240 Volt A/C Receptacle

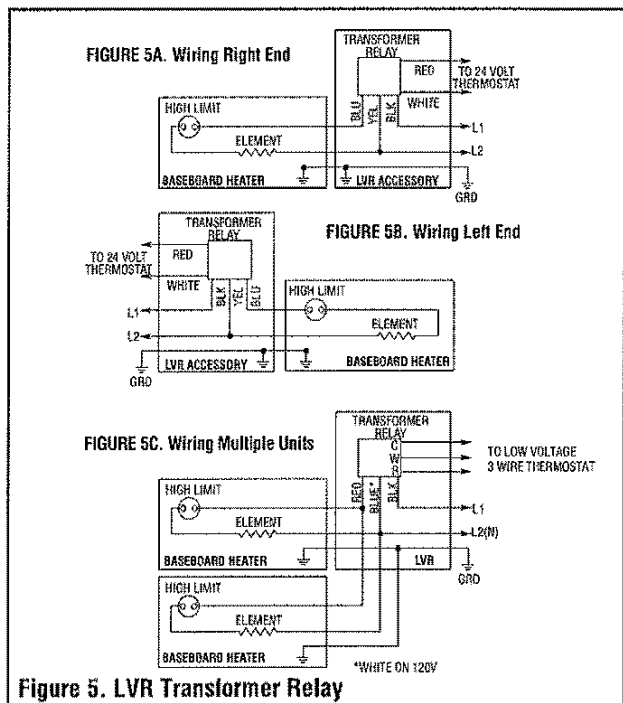


Figure 5. LVR Transformer Relay

7. Replace accessory section cover by fitting the top of the cover under the top flange of the accessory section. Rotate bottom of cover into place and install the two (2) screws removed in Step 2.

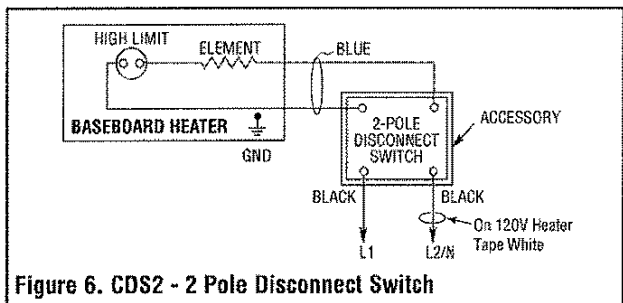
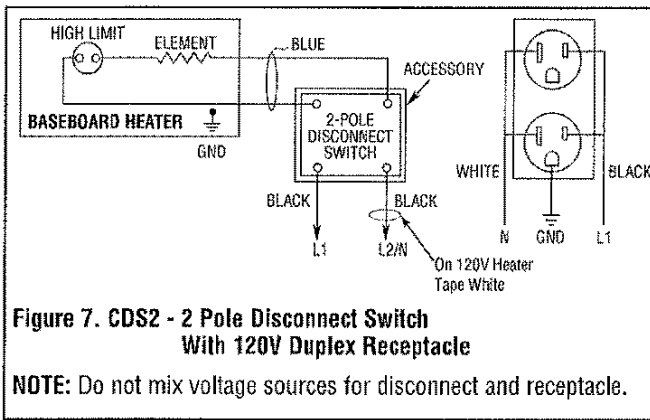


Figure 6. CDS2 - 2 Pole Disconnect Switch



**TABLE 1: Wiring Compartment Volumes**

Description	Est. Net Total Volume	
	CM <sup>3</sup>	In <sup>3</sup>
Accessory Blank Section (No Controls)	2400	145
AC Accessory Section	2300	140
DR Accessory Section	2300	140
DSDR120 Accessory Section	2200	135
CDS2 Accessory Section	2300	140
LVR Accessory Section	2100	130

**SELECTION CHART**

CAT. NO.	DESCRIPTION	RATINGS	WIRING DIAGRAM
AC	Air Conditioner Outlet Sections	20 Amps @ 208-240 VAC	See Figure 4
CDS2	2 Pole Disconnect Switch	20 Amps @ 120-277 VAC	See Figure 6
DRH	Duplex Receptacle Section	15 Amps @ 120 VAC	See Figure 3
DSDR120	2 Pole Disconnect Switch w/ 120V Duplex Receptacle	20 Amps @ 120-277 / 15A @120V	See Figure 7
LVR0	Low Voltage Relay w/Transformer 120V/24V	25 Amps @ 120 VAC	See Figure 5
LVR8	Low Voltage Relay w/Transformer 208V/24V	25 Amps @ 208 VAC	See Figure 5
LVR4	Low Voltage Relay w/Transformer 240V/24V	25 Amps @ 240 VAC	See Figure 5
LVR7	Low Voltage Relay w/Transformer 277V/24V	22 Amps @ 277 VAC	See Figure 5
WS	Blank Wiring Section		

**LIMITED WARRANTY**

All products manufactured by Marley Engineered Products are warranted against defects in workmanship and materials for one year from date of installation. This warranty does not apply to damage from accident, misuse, or alteration; nor where the connected voltage is more than 5% above the nameplate voltage; nor to equipment improperly installed or wired or maintained in violation of the product's installation instructions. All claims for warranty work must be accompanied by proof of the date of installation.

The customer shall be responsible for all costs incurred in the removal or reinstallation of products, including labor costs, and shipping costs incurred to return products to Marley Engineered Products Service Center. Within the limitations of this warranty, inoperative units should be returned to the nearest Marley authorized service center or the Marley Engineered Products Service Center, and we will repair or replace, at our option, at no charge to you with return freight paid by Marley. It is agreed that such repair or replacement is the exclusive remedy available from Marley Engineered Products.

THE ABOVE WARRANTIES ARE IN LIEU OF ALL OTHER WARRANTIES EXPRESSED OR IMPLIED, AND ALL IMPLIED WARRANTIES OF MERCHANTABILITY AND FITNESS FOR A PARTICULAR PURPOSE WHICH EXCEED THE AFORESAID EXPRESSED WARRANTIES ARE HEREBY DISCLAIMED AND EXCLUDED FROM THIS AGREEMENT. MARLEY ENGINEERED PRODUCTS SHALL NOT BE LIABLE FOR CONSEQUENTIAL DAMAGES ARISING WITH RESPECT TO THE PRODUCT, WHETHER BASED UPON NEGLIGENCE, TORT, STRICT LIABILITY, OR CONTRACT.

Some states do not allow the exclusion or limitation of incidental or consequential damages, so the above exclusion or limitation may not apply to you. This warranty gives you specific legal rights, and you may also have other rights which vary from state to state.

For the address of your nearest authorized service center, contact Marley Engineered Products, in Bennettsville, SC, at 1-800-642-4328. Merchandise returned to the factory must be accompanied by a return authorization and service identification tag, both available from Marley Engineered Products. When requesting return authorization, include all catalog numbers shown on the products.

**HOW TO OBTAIN WARRANTY SERVICE AND WARRANTY PARTS PLUS GENERAL INFORMATION**

1. Warranty Service or Parts 1-800-642-4328
2. Purchase Replacement Parts 1-800-654-3545
3. General Product Information [www.marleymep.com](http://www.marleymep.com)

**Note:** When obtaining service always have the following:

1. Model number of the product
2. Date of manufacture
3. Part number or description



470 Beauty Spot Rd. East  
Bennettsville, SC 29512 USA