

Line Voltage Electric Heater Thermostat TS521W/TD522W Series

FEATURES

Clean, attractive style suits any decore wall-mount design sits flush against wall. Includes both °C and °F control dials

SPECIFICATIONS

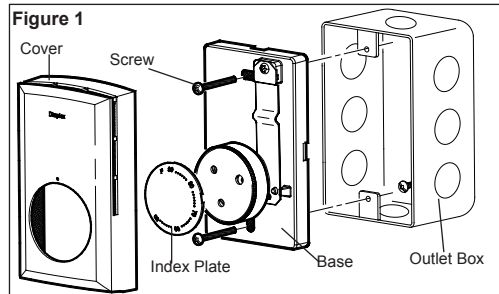
Electrical Ratings:
0 - 2640 watts max. at 120 volts (22 amps)
0 - 4576/5280 watts at 208/240 volts (22 amps)
0 - 4986 watts at 277 volts (18 amps)

Sensing Element: Bimetal

Temperature Operating Range: 5° - 35°C and 41° - 95°F

Approvals:

Underwriters Laboratories Inc No.: E105830
Canadian Standards Association No.: LR30410



Recycling Notice

At the end of the electrical products useful life it should not be disposed of with household waste. Please recycle where facilities exist. Check with your Local Authority or retailer for recycling advice in your country.



Installation Instructions

Mounting: Mounts directly into a standard 2 x 4 inch vertical electrical outlet box

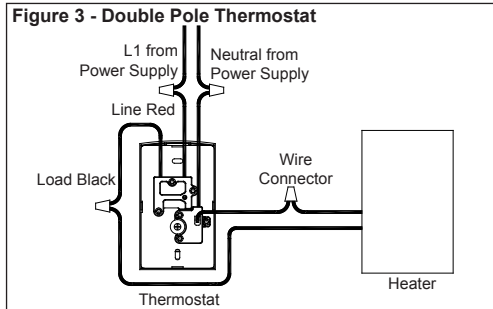
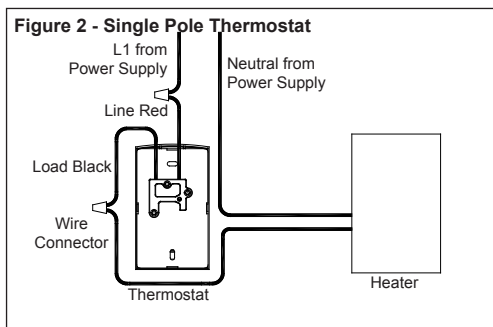
SINGLE POLE THERMOSTAT INSTALLATION

WARNING: The installation of the thermostat must comply with the applicable Local and/or National Electrical Codes and utility requirements. This installation should be entrusted to duly qualified personnel where required by law.

WARNING: Ensure that all wiring connections to the thermostat are correct and tight to prevent electrical shorts. Use the appropriate wire to meet local and national electrical codes for rated power consumption.

1. Disconnect power supply to prevent electrical shock or product damage.
2. Run line voltage wiring to the thermostat location.
3. Do not remove the thermostat cover.

2707610100R02



4. Connect the red LINE lead on the thermostat to the L1 line from the power supply panel.
 5. Connect the black LOAD lead from the thermostat to the line lead on the heater.
 6. Connect the N Neutral (or L2) line to the remaining line of the heater.
 7. Secure the ground wire to the ground screw provided in the outlet box.
 8. Ensure that all connections are tight.
 9. Insert wires into the outlet box taking care not to damage the sensing device or wiring.
 10. Remove the thermostat cover by grasping the cover by the sides and pulling it away from the thermostat base.
 11. Mount the thermostat base into the wall box and secure using the two supplied screws.
- ! NOTE:** Do not over tighten mounting screws
12. Replace thermostat cover.

DOUBLE POLE THERMOSTAT INSTALLATION

WARNING: The installation of the thermostat must comply with the applicable Local and/or National Electrical Codes and utility requirements. This installation should be entrusted to duly qualified personnel where required by law.

WARNING: Ensure that all wiring connections to the thermostat are correct and tight to prevent electrical shorts. Use the appropriate wire to meet local and national electrical codes for rated power consumption.

1. Disconnect power supply to prevent electrical shock or product damage.
2. Run line voltage wiring to the thermostat location.
3. Do not remove the thermostat cover.

4. Connect the black LOAD leads on the thermostat to the leads on the heater.
 5. Connect the red LINE leads on the thermostat to the line leads from the power supply panel.
 6. Ensure that all connections are tight.
 7. Insert wires into the outlet box taking care not to damage the sensing device or wiring.
 8. Secure the ground wire to the ground screw provided in the outlet box.
 9. Remove the thermostat cover by grasping the cover by the sides and pulling it away from the thermostat base.
 10. Mount the thermostat into the wall box and secure using the two supplied screws.
- ! NOTE:** Do not over tighten mounting screws
11. Replace thermostat cover.

Operation

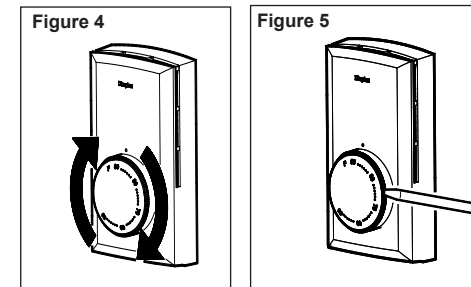
To adjust the temperature to your individual requirements, turn the thermostat control clockwise all the way to turn on the heater (Figure 4). When the room reaches the desired temperature, turn the thermostat knob counter clockwise until you hear a click. Leave in this position to maintain the room temperature at this setting. For additional heat, turn clockwise until you hear the click again and the heater will turn on.

For single pole models:- Turning the knob fully counter clockwise will set the temperature rating to 5°C (41°F).

For double pole models:- Turning the knob fully counter clockwise will disconnect the power to the heater.

INDEX PLATE REMOVAL (Figure 5)

Using a small flat screwdriver or other suitable tool gently pry up on one of the slots located on the index plate. To install line up the index plate pins with the holes in the thermostat knob and push until the index plate is flush with the thermostat knob.



Warranty

LIMITED WARRANTY: All Dimplex Thermostats are warranted against defects in workmanship and materials for five years from date of sale. This warranty does not apply to damage from accident, misuse, or alteration, nor where the connected voltage is more than 5 % above the nameplate voltage, nor to equipment improperly installed or wired or maintained in violation of the instruction sheet. This limited warranty applies only to purchases made in any province of Canada except for Yukon Territory, Nunavut, or Northwest Territories or in any of the 50 States of the USA (and the District of Columbia) except for Hawaii and Alaska. This limited warranty applies to the original purchaser of the product only and is not transferable. No other written or oral warranty applies. No employee, agent, dealer or other person is authorized to give any warranties on behalf of Dimplex. The customer shall be responsible for all costs incurred in the removal or reinstallation and shipping of the product for repairs. Within the limitations of this warranty, inoperative units shall be returned to the nearest Dimplex authorized service center, and we shall repair or replace, at our option, at no charge to you with return freight paid by Dimplex. It is agreed that such repair or replacement is the exclusive remedy available from Dimplex and that DIMPLEX IS NOT RESPONSIBLE FOR DAMAGES OF ANY KIND, INCLUDING INCIDENTAL AND CONSEQUENTIAL DAMAGE. Some States do not allow the exclusion or limitation of consequential damages, so the above exclusion or limitation may not apply to you. This warranty gives you specific legal rights and you may also have other rights which vary from state to state.